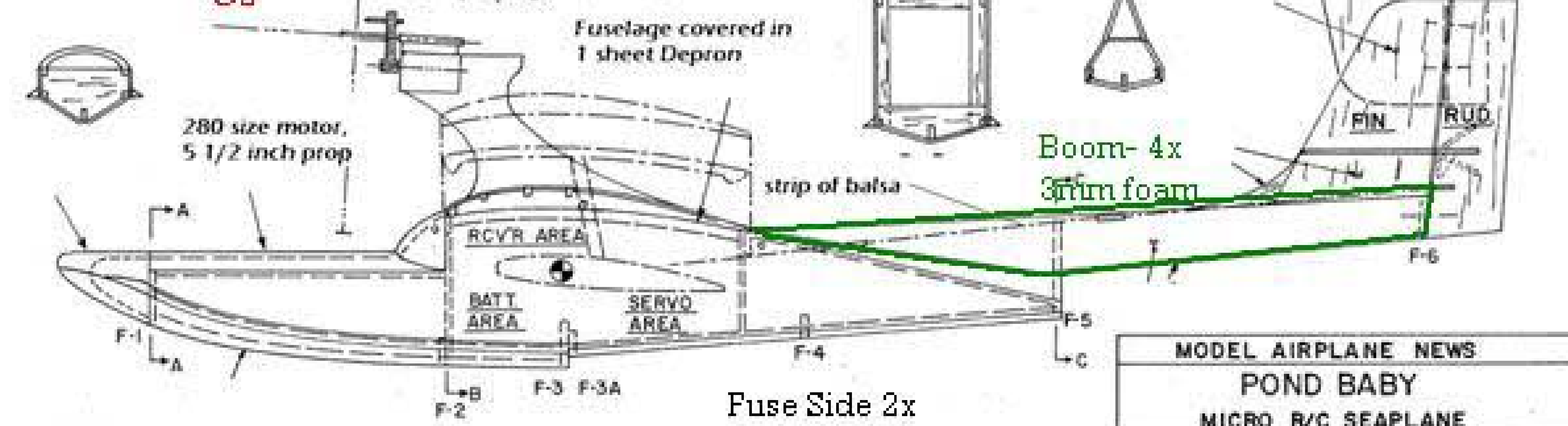
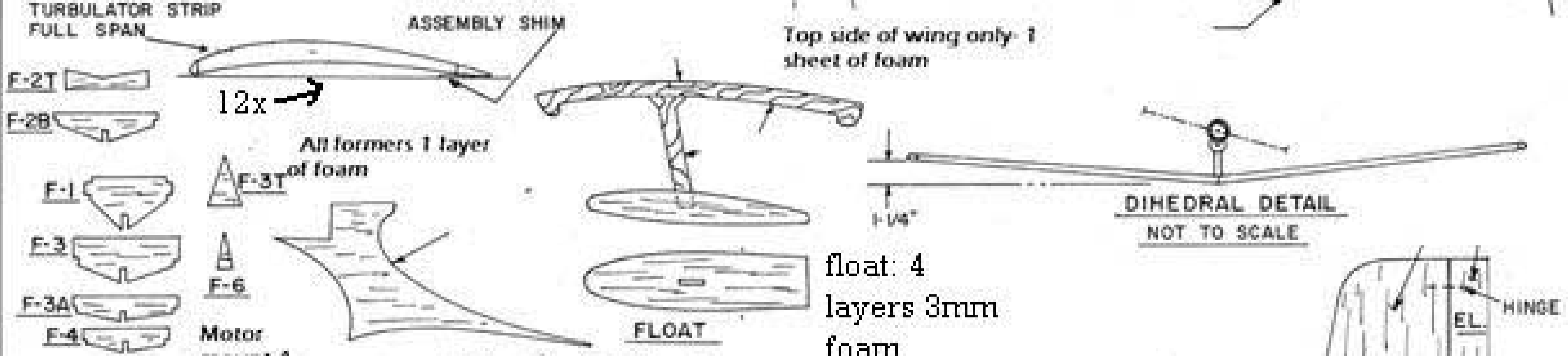
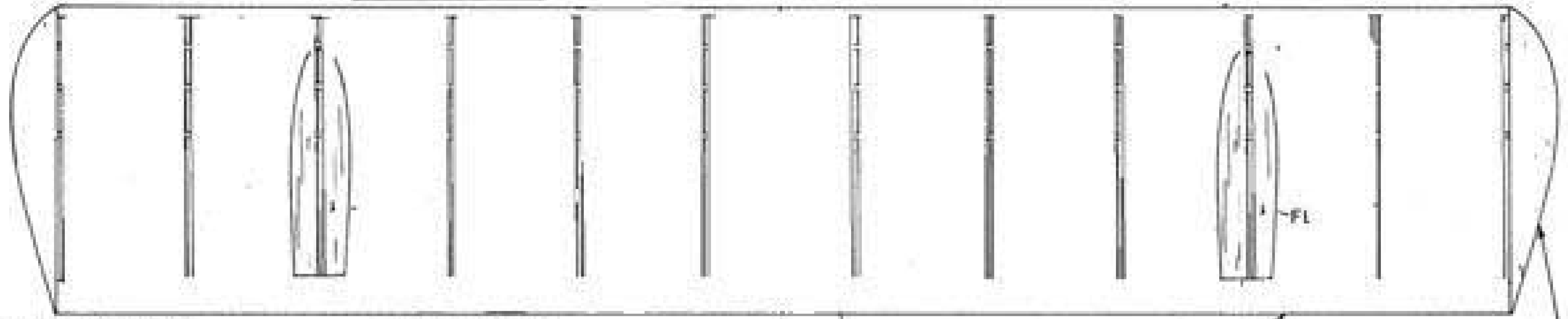


Note: This plane must be upscaled to 185% (27" wingspan) or 200% (32" wingspan).

WING PLAN



FUSELAGE SIDE VIEW



MODEL AIRPLANE NEWS		
POND BABY		
MICRO R/C SEAPLANE		
DESIGNED & DRAWN BY DAVE ROBELEN		
INKED PLAN BY JOE DEMARCO		
Modified for foam by Eric Maglio		
ALL RIGHTS RESERVED	SHEET 1 OF 1	FSP